

MIT OpenCourseWare
<http://ocw.mit.edu>

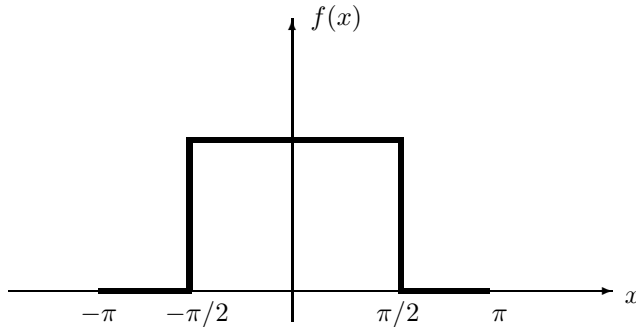
18.085 Computational Science and Engineering I
Fall 2008

For information about citing these materials or our Terms of Use, visit: <http://ocw.mit.edu/terms>.

Solutions - Problem Set 8

Section 4.1

$$3) f(x) = \begin{cases} 1 & , |x| < \frac{\pi}{2} \\ 0 & , \frac{\pi}{2} < |x| < \pi \end{cases}$$



$$\begin{aligned} a_0 &= \frac{1}{2\pi} \int_{-\pi}^{\pi} f(x) dx \\ &= \frac{1}{2\pi} \int_{-\pi/2}^{\pi/2} 1 \cdot dx \\ &= \frac{1}{2\pi} [\pi/2 + \pi/2] \\ &= \frac{1}{2} \# \end{aligned}$$

$$\begin{aligned} b_k &= \frac{1}{\pi} \int_{-\pi}^{\pi} f(x) \sin kx dx \\ &= \frac{1}{\pi} \int_{-\pi/2}^{\pi/2} \sin kx dx \\ &= \frac{1}{\pi} \left[-\frac{\cos kx}{k} \right]_{-\pi/2}^{\pi/2} \\ &= \frac{1}{\pi k} \left[-\cos \frac{k\pi}{2} + \cos \left(-\frac{k\pi}{2} \right) \right] \\ &= 0 \# \end{aligned}$$

$$\begin{aligned} a_k &= \frac{1}{\pi} \int_{-\pi}^{\pi} f(x) \cos kx dx \\ &= \frac{1}{\pi} \int_{-\pi/2}^{\pi/2} \cos kx dx \\ &= \frac{1}{\pi} \left[\frac{\sin kx}{k} \right]_{-\pi/2}^{\pi/2} \\ &= \frac{1}{\pi k} \left[\sin \frac{k\pi}{2} - \sin k \left(-\frac{\pi}{2} \right) \right] \\ &= \frac{2}{\pi k} \sin \left(\frac{k\pi}{2} \right) \# \end{aligned}$$

10) Boundary condition for Laplace's equation

$$u_0 = \begin{cases} 1 & , 0 < \theta < \pi \\ 0 & , -\pi < \theta < 0 \end{cases}$$

$$a_0 = \frac{1}{2\pi} \int_0^\pi 1 dx = \frac{1}{2\pi}(\pi - 0) = \frac{1}{2}$$

$$a_k = \frac{1}{\pi} \int_0^\pi \cos kx dx = \frac{1}{\pi k} [\sin kx]_0^\pi = \frac{\sin k\pi}{\pi k} = 0 \quad \forall k$$

$$b_k = \frac{1}{\pi} \int_0^\pi \sin kx dx = \frac{1}{\pi k} [-\cos kx]_0^\pi = \frac{1}{\pi k} [1 - \cos k\pi]$$

$$= \begin{cases} \frac{2}{\pi k} & , k \text{ odd} \\ 0 & , k \text{ even} \end{cases}$$

$$\therefore u_0(\theta) = \frac{1}{2} + \frac{2}{\pi} \left[\sin x + \frac{\sin 3x}{3} + \frac{\sin 5x}{5} + \dots \right]$$

$$\Rightarrow u(r, \theta) = \frac{1}{2} + \frac{2}{\pi} \left[r \sin \theta + \frac{r^3 \sin 3\theta}{3} + \frac{r^5 \sin 5\theta}{5} + \dots \right] \#$$

At origin, $r = 0$, $\theta = 0$

$$u(0, 0) = \frac{1}{2} + \frac{2}{\pi} [0 + 0 \dots]$$

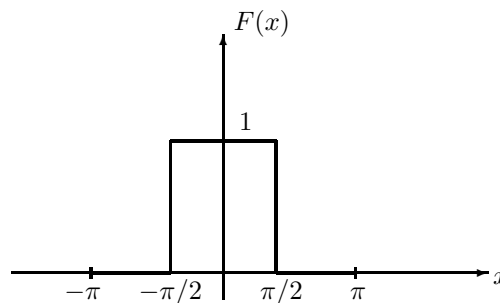
$$= \frac{1}{2} \#$$

13) width $h = \pi$,

a) $\int |F(x)|^2 dx$

$$= \int_{-\pi/2}^{\pi/2} 1^2 dx$$

$$= \pi \#$$



b) $C_k = \frac{1}{2\pi} \int_{-\pi}^{\pi} F(x) e^{-ikx} dx$

$$= \frac{1}{2\pi} \int_{-\pi/2}^{\pi/2} e^{-ikx} dx$$

$$= \frac{1}{2\pi} \left[\frac{e^{-ikx}}{-ik} \right]_{-\pi/2}^{\pi/2}$$

$$= \frac{1}{2\pi} \left(\frac{1}{ik} \right) [-e^{-ik\pi/2} + e^{ik\pi/2}]$$

$$= \frac{1}{2\pi ki} 2i \sin \left(\frac{k\pi}{2} \right)$$

$$= \frac{1}{2\pi} \frac{\sin(k\pi/2)}{(k/2)}$$

$$= \begin{cases} \frac{1}{\pi k} & , k = \pm 1, 5, 9, \dots \\ -\frac{1}{\pi k} & , k = \pm 3, 7, 11, \dots \\ 0 & , k \text{ even} \end{cases}$$

$$C_0 = \frac{1}{2\pi} \int_{-\pi}^{\pi} F(x) dx$$

$$= \frac{1}{2\pi} \int_{-\pi/2}^{\pi/2} 1 dx$$

$$= \frac{1}{2\pi} [\pi/2 + \pi/2]$$

$$= \frac{1}{2} \#$$

c) $\int_{-\pi}^{\pi} |F(x)|^2 dx$

$$= 2\pi (|C_0|^2 + |C_1|^2 + |C_{-1}|^2 + \dots)$$

$$= 2\pi \left[\left(\frac{1}{2}\right)^2 + \left(\frac{1}{\pi}\right)^2 + \left(-\frac{1}{\pi}\right)^2 + \left(\frac{1}{3\pi}\right)^2 + \left(-\frac{1}{3\pi}\right)^2 + \dots \right]$$

$$= \frac{\pi}{2} + \frac{4}{\pi} \left[1 + \frac{1}{3^2} + \frac{1}{5^2} + \dots \right]$$

$$= \frac{\pi}{2} + \frac{4}{\pi} \underbrace{\left(\frac{\pi^2}{8}\right)}_{\text{Observed from ramp series eqn (15) pg321}}$$

$$= \pi \#$$

If $h = 2\pi$, $C_0 = \frac{1}{2\pi} \int_{-\pi}^{\pi} 1 dx = 1$

$$C_k = \frac{1}{2\pi} \int_{-\pi}^{\pi} e^{-ikx} dx = \frac{1}{2\pi} \frac{\sin(k\pi)}{(k/2)} = 0 \text{ for all } k$$

$\therefore F(x) = 1$ a constant function #

18) Heat equation $u_t = u_{xx}$

point source $u(x, 0) = \delta(x)$

with free boundary conditions $u'(\pi, t) = u'(-\pi, t) = 0$

These boundary conditions require cosine series

$$u(x, t) = b_0(t) + \sum_{n=1}^{\infty} b_n(t) \cos nx$$

Substitute into heat equation

$$b_0'(t) + \sum_{n=1}^{\infty} b_n'(t) \cos nx = - \sum_{n=1}^{\infty} b_n(t) n^2 \cos nx$$

since $b_0'(t) = 0$, $b_n(t) = e^{-n^2 t} b_n(0)$, $b_0(t) = \text{constant}$

Initial condition

$$b_0(0) + \sum_{n=1}^{\infty} b_n(0) \cos nx = \delta(x) = \frac{1}{2\pi} + \frac{1}{\pi} [\cos x + \cos 2x + \cos 3x + \dots]$$

Comparing coefficient

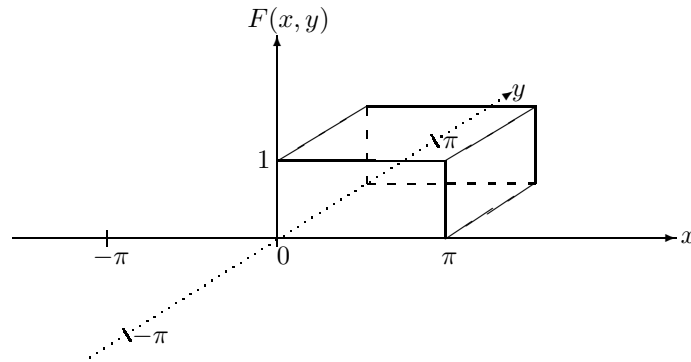
$$b_0(0) = \frac{1}{2\pi}, \quad b_n(0) = \frac{1}{\pi}$$

$$b_0(t) = \frac{1}{2\pi} \quad \text{since } b_0 \text{ is a constant}$$

$$\therefore u(x, t) = \frac{1}{2\pi} + \sum_{n=1}^{\infty} \frac{1}{\pi} e^{-n^2 t} \cos nx \quad \#$$

Section 4.2

a) $F = \text{quarter square} = \begin{cases} 1, & 0 \leq x \leq \pi, \quad 0 \leq y \leq \pi \\ 0, & -\pi < x < 0 \quad \text{or} \quad -\pi < y < 0 \end{cases}$



$$\begin{aligned} C_{mn} &= \left(\frac{1}{2\pi}\right)^2 \int_{-\pi}^{\pi} \int_{-\pi}^{\pi} F(x, y) e^{-imx} e^{-iny} dx dy \\ &= \left(\frac{1}{2\pi}\right)^2 \int_0^{\pi} \int_0^{\pi} e^{-imx} e^{-iny} dx dy \\ &= \left(\frac{1}{2\pi}\right)^2 \int_0^{\pi} e^{-iny} \left[\frac{e^{-imx}}{-im} \right]_0^{\pi} dy \\ &= \left(\frac{1}{2\pi}\right)^2 \int_0^{\pi} e^{-iny} \left(\frac{1}{im}\right) (1 - e^{-im\pi}) dy \\ &= \left(\frac{1}{2\pi}\right)^2 \left(\frac{1}{im}\right) (1 - e^{-im\pi}) \left[\frac{e^{-iny}}{-in} \right]_0^{\pi} \\ &= \left(\frac{1}{2\pi}\right)^2 \left(\frac{1}{im}\right) \left(\frac{1}{in}\right) (1 - e^{-im\pi}) (1 - e^{-in\pi}) \end{aligned}$$

For $m, n \neq 0$

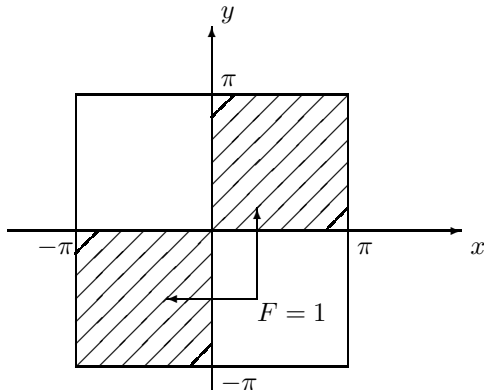
$$C_{mn} = \begin{cases} -\frac{1}{\pi^2 mn}, & \text{for } m \text{ and } n \text{ both odd} \\ 0 & \text{, for } m \text{ even or } n \text{ even} \end{cases}$$

$$\begin{aligned} C_{\infty} &= \left(\frac{1}{2\pi}\right)^2 \int_0^\pi \int_0^\pi 1 \, dx \, dy \\ &= \left(\frac{1}{2\pi}\right)^2 \pi^2 \\ &= \frac{1}{4} \# \end{aligned}$$

$$\begin{aligned} C_{0n} &= \left(\frac{1}{2\pi}\right)^2 \int_0^\pi \int_0^\pi e^{-iny} \, dx \, dy \\ &= \left(\frac{1}{2\pi}\right)^2 \int_0^\pi \left[\frac{e^{-iny}}{-in} \right]_0^\pi \, dy \\ &= \left(\frac{1}{2\pi}\right)^2 \left(\frac{1}{in}\right) \int_0^\pi (1 - e^{-in\pi}) \, dy \\ &= \left(\frac{1}{2\pi}\right)^2 \left(\frac{\pi}{in}\right) (1 - e^{-in\pi}) \\ &= \begin{cases} \frac{1}{2\pi in}, & \text{for } n \text{ odd} \\ 0 & \text{, for } n \text{ even } \# \end{cases} \end{aligned}$$

$$\begin{aligned} C_{m0} &= \left(\frac{1}{2\pi}\right)^2 \int_0^\pi \int_0^\pi e^{-imy} \, dx \, dy \\ &= \begin{cases} \frac{1}{2\pi im}, & \text{for } m \text{ odd} \\ 0 & \text{, for } m \text{ even } \# \end{cases} \end{aligned}$$

b) $F = \text{checkerboard} = \begin{cases} 1 & \text{if } xy > 0 & -\pi < x \leq \pi \\ 0 & \text{if } xy < 0 & -\pi < y \leq \pi \end{cases}$



$$\begin{aligned}
C_{mn} &= \left(\frac{1}{2\pi}\right)^2 \int_{-\pi}^{\pi} \int_{-\pi}^{\pi} F(x, y) e^{-imx} e^{-iny} dx dy \\
&= \left(\frac{1}{2\pi}\right)^2 \int_0^{\pi} \int_0^{\pi} e^{-imx} e^{-iny} dx dy + \left(\frac{1}{2\pi}\right)^2 \int_{-\pi}^0 \int_{-\pi}^0 e^{-imx} e^{-iny} dx dy \\
&= \left(\frac{1}{2\pi}\right)^2 \left\{ \int_0^{\pi} e^{-iny} \left[\frac{e^{-imx}}{-im} \right]_0^{\pi} dy + \int_{-\pi}^0 e^{-iny} \left[\frac{e^{-imx}}{-im} \right]_{-\pi}^0 dy \right\} \\
&= \left(\frac{1}{2\pi}\right)^2 \left\{ \left(\frac{1}{im}\right) (1 - e^{-im\pi}) \left[\frac{e^{-iny}}{-in} \right]_0^{\pi} + \left(\frac{1}{im}\right) (-1 + e^{im\pi}) \left[\frac{e^{-iny}}{-in} \right]_{-\pi}^0 \right\} \\
&= \left(\frac{1}{2\pi}\right)^2 \left(\frac{1}{im}\right) \left(\frac{1}{in}\right) \left\{ (1 - e^{-im\pi}) (1 - e^{-in\pi}) + (-1 + e^{im\pi}) (-1 + e^{in\pi}) \right\}
\end{aligned}$$

For $m, n \neq 0$,

$$C_m = \begin{cases} -\frac{2}{\pi^2 mn}, & \text{for } m, n \text{ odd} \\ 0, & \text{if } m \text{ even or } n \text{ even} \end{cases}$$

$$\begin{aligned}
C_{\infty} &= \left(\frac{1}{2\pi}\right)^2 \left\{ \int_0^{\pi} \int_0^{\pi} dx dy + \int_{-\pi}^0 \int_{-\pi}^0 dx dy \right\} \\
&= \frac{1}{2} \#
\end{aligned}$$

$$\begin{aligned}
C_{0n} &= \left(\frac{1}{2\pi}\right)^2 \left\{ \int_0^{\pi} \int_0^{\pi} e^{-iny} dx dy + \int_{-\pi}^0 \int_{-\pi}^0 e^{-iny} dx dy \right\} \\
&= \left(\frac{1}{2\pi}\right)^2 \left\{ \int_0^{\pi} \left[\frac{e^{-iny}}{-in} \right]_0^{\pi} dx + \int_{-\pi}^0 \left[\frac{e^{-iny}}{-in} \right]_{-\pi}^0 dx \right\} \\
&= \left(\frac{1}{2\pi}\right)^2 \left\{ \int_0^{\pi} \left(\frac{1}{in}\right) (1 - e^{-in\pi}) dx + \int_{-\pi}^0 \left(\frac{1}{in}\right) (-1 + e^{in\pi}) dx \right\} \\
&= \left(\frac{1}{2\pi}\right)^2 \left(\frac{1}{in}\right) \left\{ (1 - e^{-in\pi})\pi + (-1 + e^{in\pi})\pi \right\} \\
&= \left(\frac{1}{2\pi}\right)^2 \left(\frac{\pi}{in}\right) \left\{ (1 - e^{-in\pi}) + (-1 + e^{in\pi}) \right\} \\
&= 0 \#
\end{aligned}$$

$$\begin{aligned}
C_{m0} &= \left(\frac{1}{2\pi}\right)^2 \left\{ \int_0^{\pi} \int_0^{\pi} e^{-imx} dx dy + \int_{-\pi}^0 \int_{-\pi}^0 e^{-imx} dx dy \right\} \\
&= 0 \#
\end{aligned}$$

2) $-S(x, y) = S(-x, -y)$ odd function will have double sine series $\sum \sum b_{mn} \sin mx \sin ny$

For e.g. $S(x, y) = \begin{cases} 1 & \text{if } xy \geq 0, \quad -\pi < x \leq \pi \\ -1 & \text{if } xy < 0, \quad -\pi < y \leq \pi \end{cases}$

$\left. \begin{aligned} S(-x, y) &= -S(x, y) \\ S(x, -y) &= -S(x, y) \end{aligned} \right\}$ are also odd functions

Orthogonality

$$\int_{-\pi}^{\pi} \int_{-\pi}^{\pi} (\sin kx \sin ly)(\sin mx \sin ny) dx dy = 0$$

for $k = m$ and $l = n$

on the square $-\pi \leq x \leq \pi \quad -\pi \leq y \leq \pi$

20) Sturm-Liouville eigenvalue problem

$$(pu')' + qu + \lambda wu = 0$$

$$u_1 \{ (pu_2')' + qu_2 + \lambda_1 wu_2 \} = 0 \quad \text{--- ①}$$

$$u_2 \{ (pu_1')' + qu_1 + \lambda_2 wu_1 \} = 0 \quad \text{--- ②}$$

$$\text{①} - \text{②}$$

$$u_1(pu_2')' - u_2(pu_1')' + q(u_1u_2 - u_2u_1) + wu_1u_2(\lambda_1 - \lambda_2) = 0 \quad \text{--- ③}$$

$$\therefore u_1(pu_2')' - u_2(pu_1')' + wu_1u_2(\lambda_1 - \lambda_2) = 0$$

$$\int_a^b u_2(pu_1')' dx \quad \text{where } a, b \text{ are boundary}$$

$$= [u_2(pu_1')]_a^b - \int_a^b u_2'(pu_1') dx = - \int_a^b u_2'(pu_1') dx$$

Boundary

$$\int_a^b u_1(pu_2')' dx$$

$$= [u_1(pu_2')]_a^b - \int_a^b u_1'(pu_2') dx = - \int_a^b u_1'(pu_2') dx$$

Boundary

From ③

$$\begin{aligned} \int_a^b \{ u_1(pu_2')' - u_2(pu_1')' \} dx &= \int_a^b (\lambda_2 - \lambda_1) wu_1u_2 dx \\ - \int_a^b u_1'(pu_2') dx + \int_a^b u_2'(pu_1') dx &= \int_a^b (\lambda_2 - \lambda_1) wu_1u_2 dx \end{aligned}$$

$$\therefore \int_a^b (\lambda_2 - \lambda_1) w u_1 u_2 dx = 0$$

If $(\lambda_2 - \lambda_1) \neq 0$

$$\int_a^b w u_1 u_2 dx = 0 \# \text{ weighted orthogonality}$$

Section 4.3

$$2) \quad f_j = \sum_{k=0}^{N-1} c_k w^{jk} \Rightarrow f = F_N c$$

$$\text{row } j^{\text{th}} \text{ of } \bar{F} = [1 \quad \bar{w}^j \quad \bar{w}^{2j} \quad \dots \quad \bar{w}^{j(N-1)}]$$

$$\text{row } (N-j)^{\text{th}} \text{ of } F = [1 \quad w^{(N-j)} \quad w^{2(N-j)} \quad \dots \quad w^{(N-j)(N-1)}]$$

$$\begin{aligned} \bar{w}^j &= e^{-2\pi i j/N} \\ w^{N-j} &= e^{(2\pi i/N)(N-j)} = e^{2\pi i} e^{-2\pi i j/N} \\ &= 1 \cdot e^{-2\pi i j/N} \\ &= \bar{w}^j \end{aligned}$$

Similarly $\bar{w}^{2j} = w^{2(N-j)}$

$$\begin{aligned} &\vdots \\ \bar{w}^{j(N-1)} &= w^{(N-j)(N-1)} \end{aligned}$$

\therefore row j^{th} of \bar{F} is the same as row $(N-j)^{\text{th}}$ of $F_{\#}$

$$\begin{aligned} 6) \quad F_6 &= \left[\begin{array}{ccc|ccc} 1 & & & 1 & & \\ & 1 & & & w & \\ & & 1 & & & w^2 \\ \hline 1 & & & -1 & & \\ & 1 & & & -w & \\ & & 1 & & & -w^2 \end{array} \right] \left[\begin{array}{ccc|ccc} 1 & 1 & 1 & & & 0 \\ 1 & w^2 & w^4 & & & \\ 1 & w^4 & w^8 & & & \\ \hline & & & 1 & 1 & 1 \\ 0 & & & 1 & w^2 & w^4 \\ & & & 1 & w^4 & w^8 \end{array} \right] \underbrace{\left[\begin{array}{cccccc} 1 & 0 & 0 & 0 & 0 & 0 \\ 0 & 0 & 1 & 0 & 0 & 0 \\ 0 & 0 & 0 & 0 & 1 & 0 \\ \hline 0 & 1 & 0 & 0 & 0 & 0 \\ 0 & 0 & 0 & 1 & 0 & 0 \\ 0 & 0 & 0 & 0 & 0 & 1 \end{array} \right]}_P \\ &= \left[\begin{array}{ccc|ccc} 1 & 1 & 1 & 1 & 1 & 1 \\ 1 & w^2 & w^4 & w & w^3 & w^5 \\ 1 & w^4 & w^8 & w^2 & w^6 & w^{10} \\ \hline 1 & 1 & 1 & -1 & -1 & -1 \\ 1 & w^2 & w^4 & -w & -w^3 & -w^5 \\ 1 & w^4 & w^8 & -w^2 & -w^6 & -w^{10} \end{array} \right] \left[\begin{array}{ccc} 1 & & \\ & 1 & \\ & & 1 \end{array} \right] \end{aligned}$$

$$= \begin{bmatrix} 1 & 1 & 1 & 1 & 1 & 1 \\ 1 & w & w^2 & w^3 & w^4 & w^5 \\ 1 & w^2 & w^4 & w^6 & w^8 & w^{10} \\ 1 & -1 & 1 & -1 & 1 & -1 \\ 1 & -w & w^2 & -w^3 & w^4 & -w^5 \\ 1 & -w^2 & w^4 & -w^6 & w^8 & -w^{10} \end{bmatrix} \quad \text{Where } D = \begin{bmatrix} 1 & & \\ & w & \\ & & w^2 \end{bmatrix}$$

$$= \begin{bmatrix} 1 & 1 & 1 & 1 & 1 & 1 \\ 1 & w & w^2 & w^3 & w^4 & w^5 \\ 1 & w^2 & w^4 & w^6 & w^8 & w^{10} \\ 1 & w^3 & w^6 & w^9 & w^{12} & w^{15} \\ 1 & w^4 & w^8 & w^{12} & w^{16} & w^{20} \\ 1 & w^5 & w^{10} & w^{15} & w^{20} & w^{25} \end{bmatrix} \# \text{ verified}$$

$$F_3 = \begin{bmatrix} 1 & 1 & 1 \\ 1 & w^2 & w^4 \\ 1 & w^4 & w^8 \end{bmatrix}$$

8) $c = (1, 0, 1, 0), \quad N = 4$
 $c' = (1, 1) \quad c'' = (0, 0)$
 $f' = F_2 c' \quad f'' = F_2 c''$

$$= \begin{bmatrix} 1 & 1 \\ 1 & -1 \end{bmatrix} \begin{bmatrix} 1 \\ 1 \end{bmatrix} = \begin{bmatrix} 1 & 1 \\ 1 & -1 \end{bmatrix} \begin{bmatrix} 0 \\ 0 \end{bmatrix}$$

$$= \begin{bmatrix} 2 \\ 0 \end{bmatrix} = \begin{bmatrix} 0 \\ 0 \end{bmatrix}$$

First half,

$$f_j = f'_j + (w_N)^j f''_j$$

$$f_1 = \begin{bmatrix} 2 \\ 0 \end{bmatrix} + \begin{bmatrix} 1 & \\ & i \end{bmatrix} \begin{bmatrix} 0 \\ 0 \end{bmatrix} = \begin{bmatrix} 2 \\ 0 \end{bmatrix}$$

Second half,

$$f_{j+M} = f'_j - (w_N)^j f''_j$$

$$f_2 = \begin{bmatrix} 2 \\ 0 \end{bmatrix} - \begin{bmatrix} 1 & \\ & i \end{bmatrix} \begin{bmatrix} 0 \\ 0 \end{bmatrix} = \begin{bmatrix} 2 \\ 0 \end{bmatrix}$$

$$\therefore \text{Combine } f = [f_1; f_2] = \begin{bmatrix} 2 \\ 0 \\ 2 \\ 0 \end{bmatrix} \#$$

For $c = (0, 1, 0, 1)$

$$c' = (0, 0) \quad c'' = (1, 1)$$

$$f' = F_2 c' \quad f'' = F_2 c''$$

$$= \begin{bmatrix} 1 & 1 \\ 1 & -1 \end{bmatrix} \begin{bmatrix} 0 \\ 0 \end{bmatrix} = \begin{bmatrix} 1 & 1 \\ 1 & -1 \end{bmatrix} \begin{bmatrix} 1 \\ 1 \end{bmatrix}$$

$$= \begin{bmatrix} 0 \\ 0 \end{bmatrix} = \begin{bmatrix} 2 \\ 0 \end{bmatrix}$$

First half,

$$f_1 = \begin{bmatrix} 0 \\ 0 \end{bmatrix} + \begin{bmatrix} 1 & \\ & i \end{bmatrix} \begin{bmatrix} 2 \\ 0 \end{bmatrix} = \begin{bmatrix} 2 \\ 0 \end{bmatrix}$$

Second half,

$$f_2 = \begin{bmatrix} 0 \\ 0 \end{bmatrix} - \begin{bmatrix} 1 & \\ & i \end{bmatrix} \begin{bmatrix} 2 \\ 0 \end{bmatrix} = \begin{bmatrix} -2 \\ 0 \end{bmatrix}$$

∴ Combine

$$f = \begin{bmatrix} 2 \\ 0 \\ -2 \\ 0 \end{bmatrix} \#$$

10) $w = e^{2\pi i/64}$

$$w^2 = e^{2\pi i/32} \quad \sqrt{w} = e^{2\pi i/128}$$

∴ w^2 and \sqrt{w} are among the **32** and **128** roots of 1 #

15)
$$\begin{bmatrix} 0 & 1 & 0 & 0 \\ 0 & 0 & 1 & 0 \\ 0 & 0 & 0 & 1 \\ 1 & 0 & 0 & 0 \end{bmatrix} \begin{bmatrix} 1 & 1 & 1 & 1 \\ 1 & i & i^2 & i^3 \\ 1 & i^2 & i^4 & i^6 \\ 1 & i^3 & i^6 & i^9 \end{bmatrix}$$

$$= \begin{bmatrix} 1 & i & i^2 & i^3 \\ 1 & i^2 & i^4 & i^6 \\ 1 & i^3 & i^6 & i^9 \\ 1 & 1 & 1 & 1 \end{bmatrix}$$

$$= \begin{bmatrix} 1 & 1 & 1 & 1 \\ 1 & i & i^2 & i^3 \\ 1 & i^2 & i^4 & i^6 \\ 1 & i^3 & i^6 & i^9 \end{bmatrix} \begin{bmatrix} 1 & & & \\ & i & & \\ & & i^2 & \\ & & & i^3 \end{bmatrix}$$

∴ $\lambda_1 = 1, \quad \lambda_2 = i, \quad \lambda_3 = i^2, \quad \lambda_4 = i^3$ #