



→ Tag Chip Technologies

Prof. Hao Min

Auto-ID Labs at Fudan University, China

Jan. 23, 2006



- **User requirements**
- **Performance enhancements**
- **Some new technologies being developed**





User Requirements



- **Long read range**
- **100% read coverage**
- **Similar read performance in the worldwide frequency range 860-960MHz**
- **Security and authentication**





Improve the Read Range



- **Lower the power consumption of tag chips**
 - Improve the conversion efficiency of rectifier
 - Bootstrapped circuits
 - Low V_t using Schottky diode
 - Sub-threshold digital circuits
 - $V_{dd} = 0.5V$
 - Dynamic adjust of communication speed based on received power
 - Adiabatic circuits
 - Energy recycling
 - Conventional low power circuit design technologies

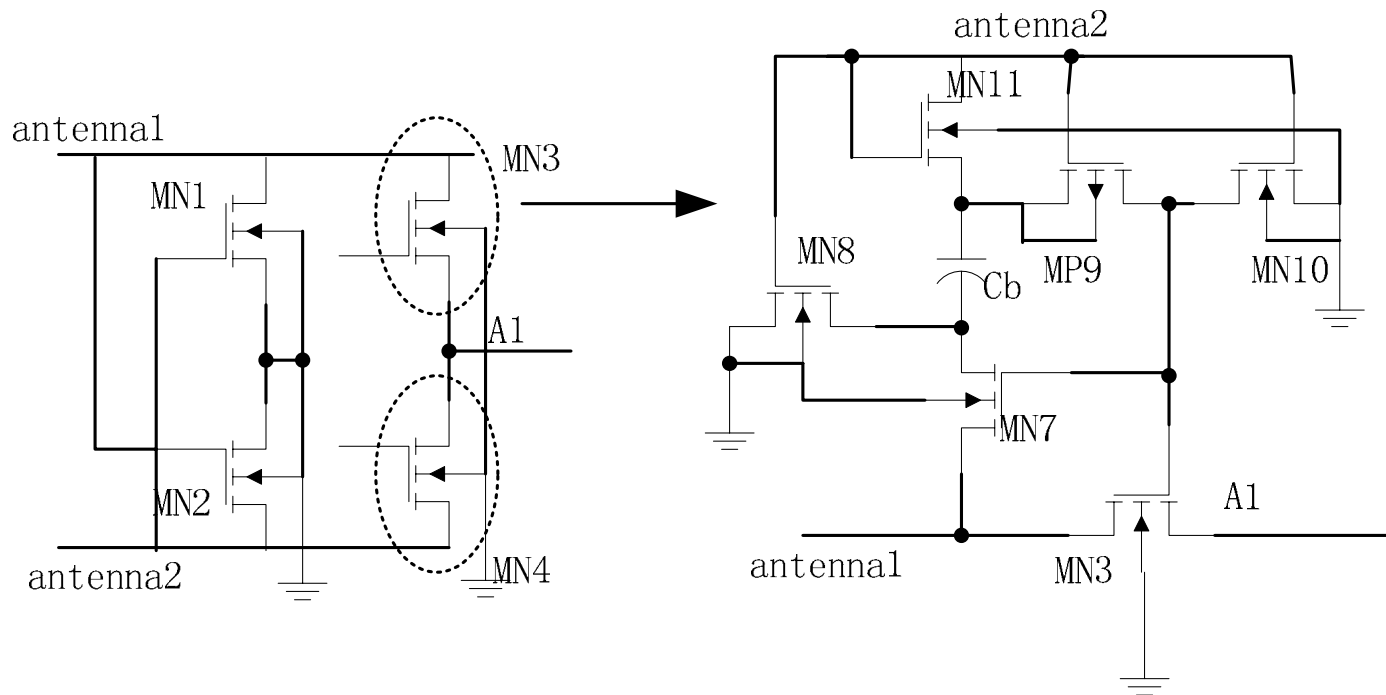




Bootstrapped Rectifier



- Improve the rectify efficiency by 30-100%
- Suitable for HF tag

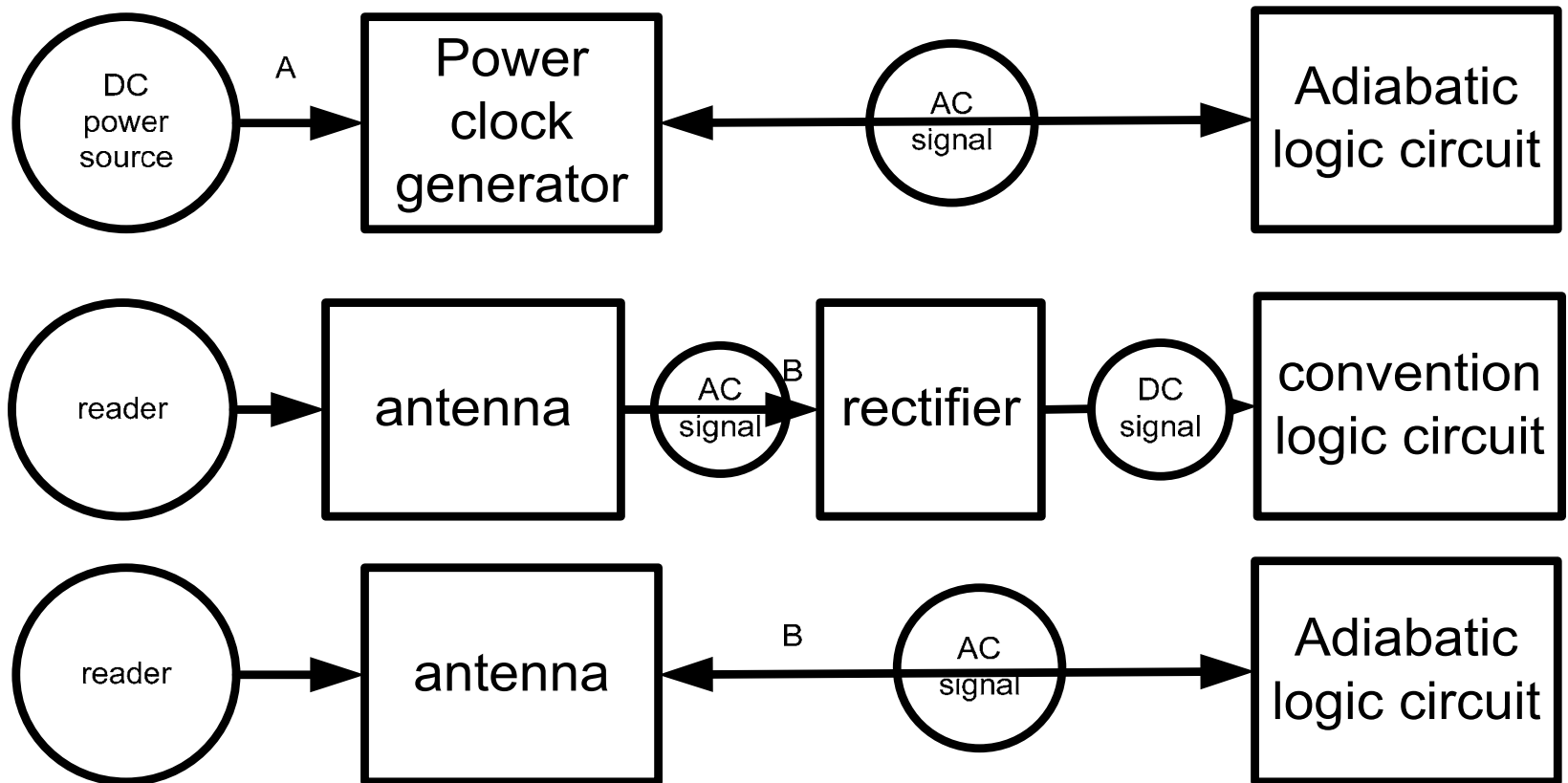




Adiabatic Circuits for RFID

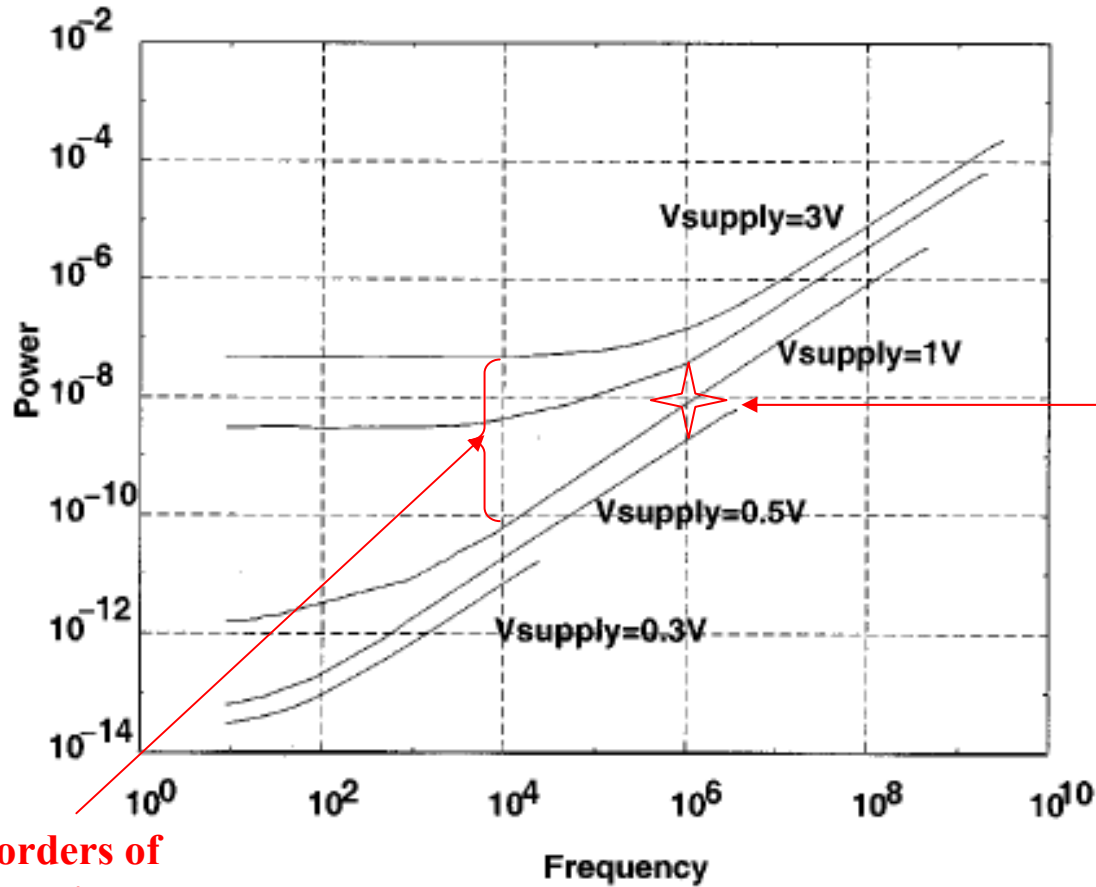


- 50% power drop is expected





Sub-threshold Circuits



■ Frequency=1Mhz

■ VDD=1V

■ Power=10nA

4 orders of magnitude

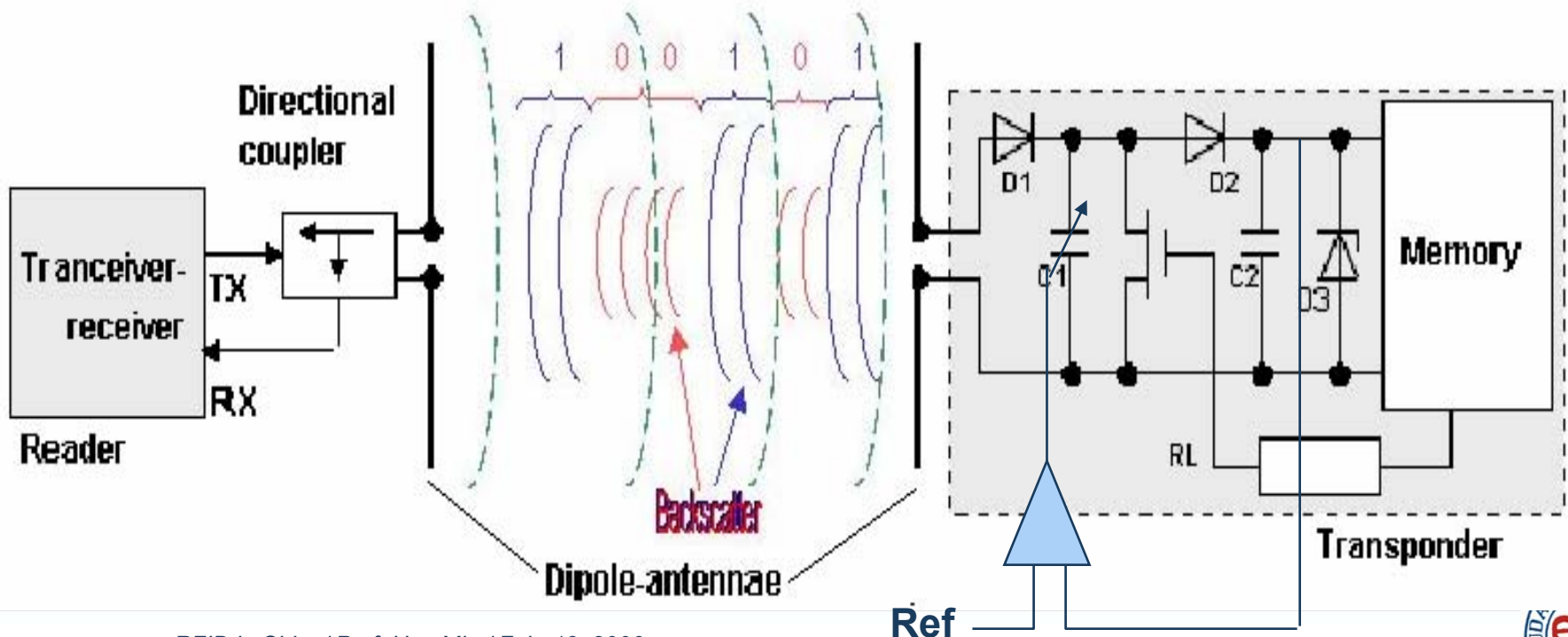




Improve the Read Coverage



- **Dynamic antenna matching circuits**
 - Improve the mask effect of closer tags
 - Protect tags from being burned

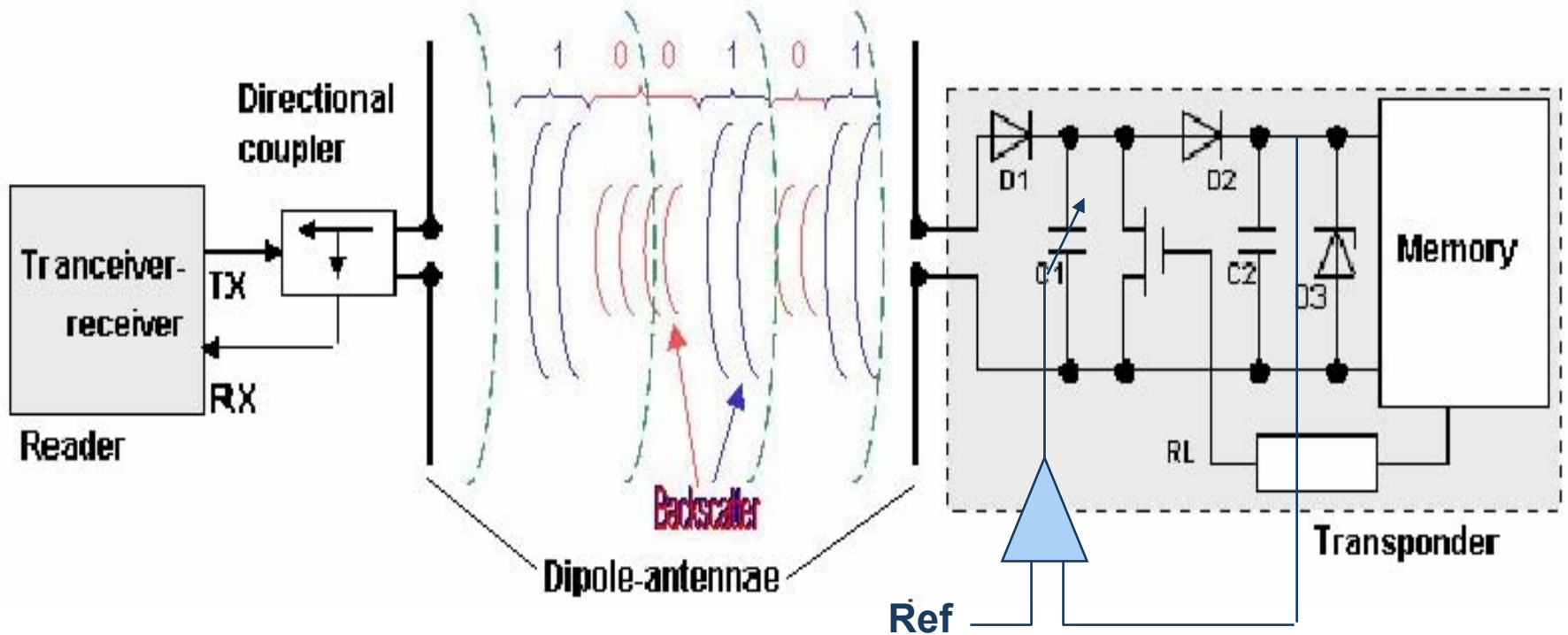




Worldwide frequency



- Adaptive tuning circuits





Security and Authentication

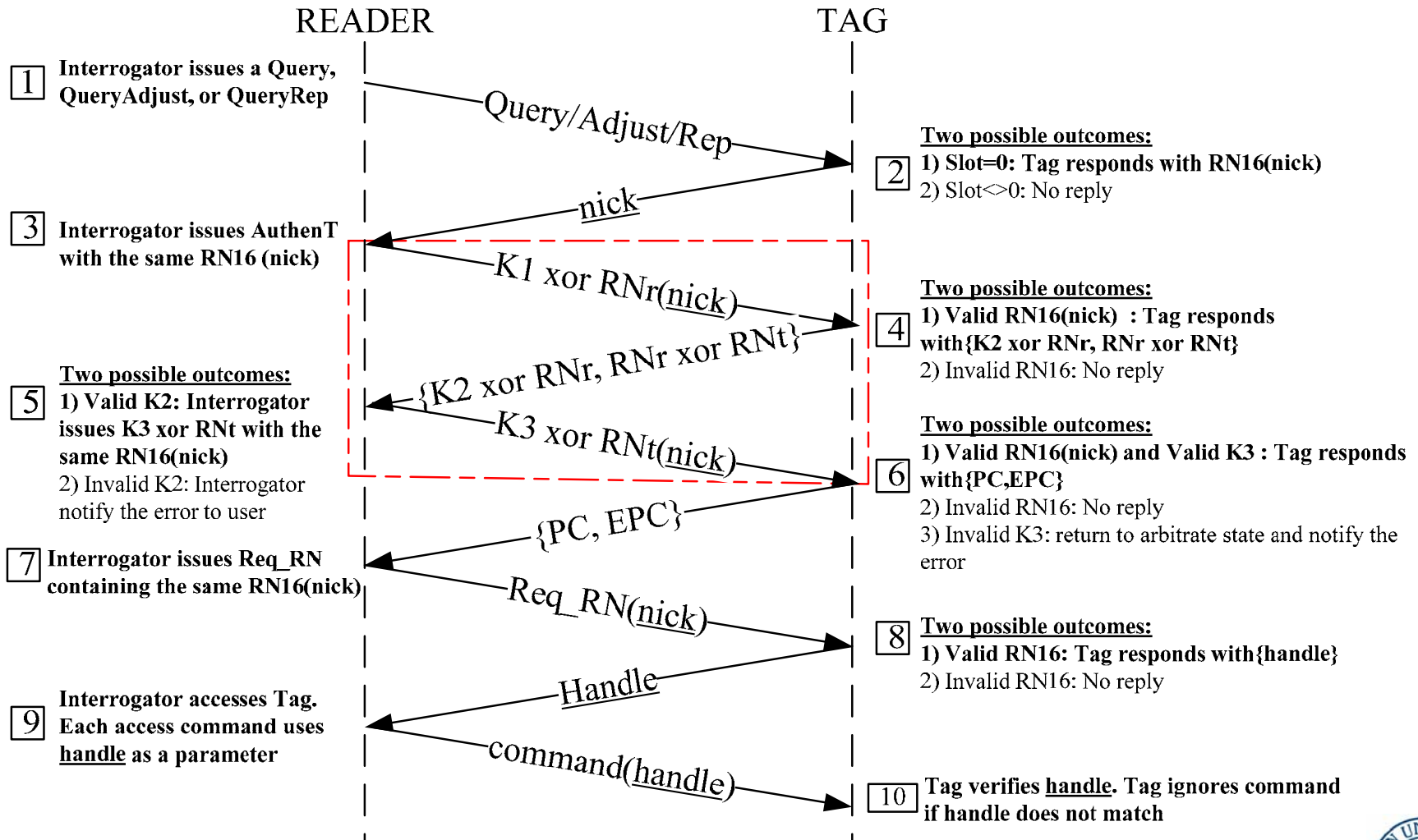


- **Two way authentication**
- **Encrypted communication between tags and readers**
- **Light crypto engine**
 - Low cost
 - Low power
 - Adequate security between tags and readers
- **Shared random number generator (share with anti-collision)**





Authentication Flow Based on C1G2





<http://www.autoidcenter.cn>

