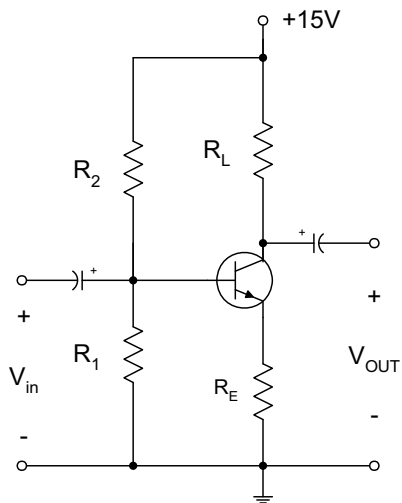
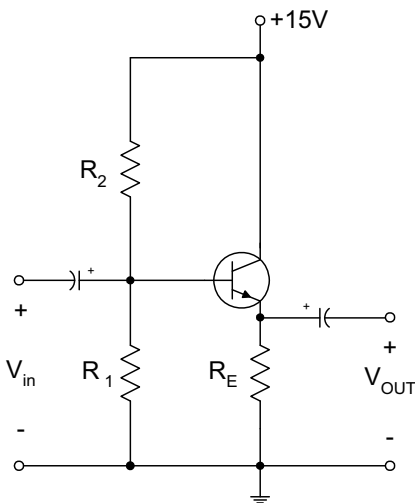


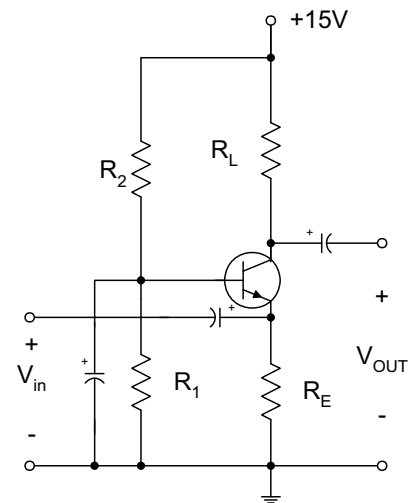
## TRANSISTOR AMPLIFIER CONFIGURATIONS



[a] Common Emitter Amplifier



[b] Common Collector [Emitter Follower] Amplifier



[c] Common Base Amplifier