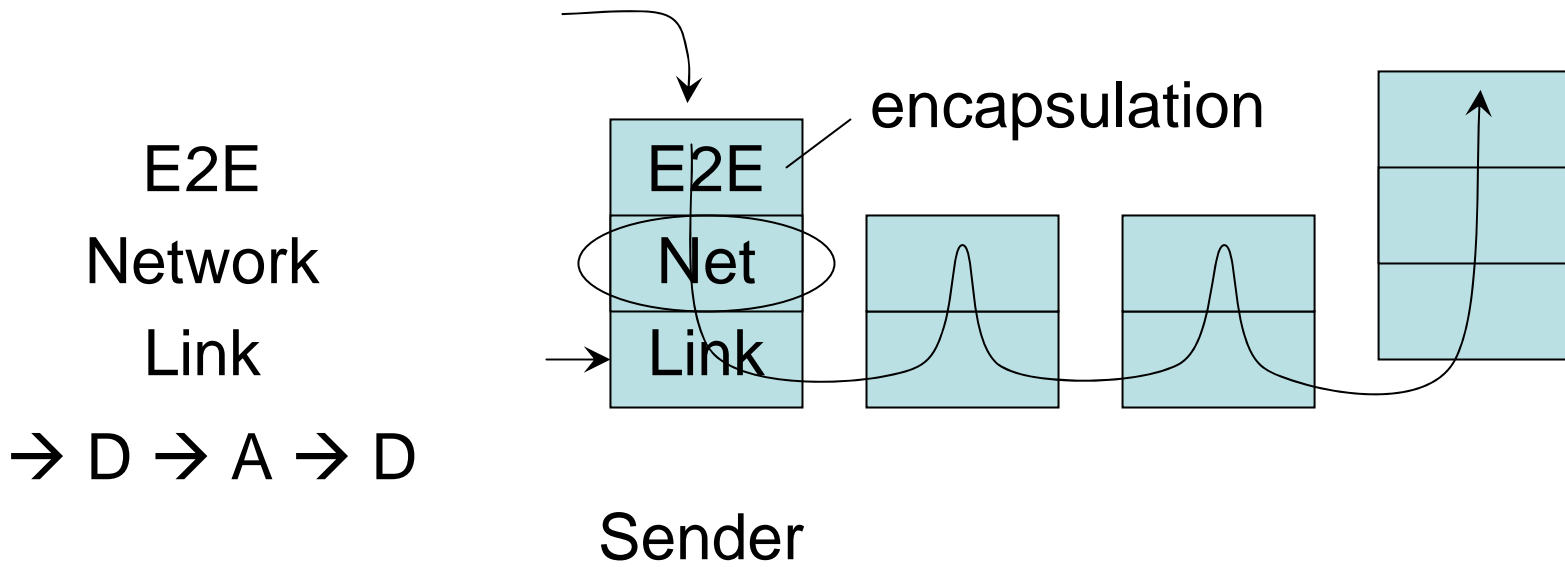


MIT OpenCourseWare
<http://ocw.mit.edu>

6.033 Computer System Engineering
Spring 2009

For information about citing these materials or our Terms of Use, visit: <http://ocw.mit.edu/terms>.

Layers



Bit-stuffing

end = 111

sndr: 111 → 1110

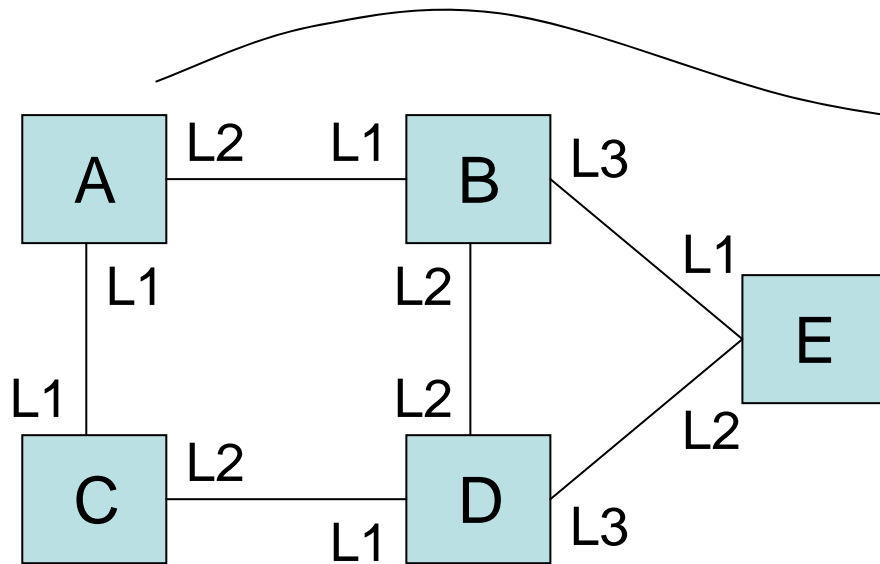
rcvr: 1110 → 111

net: 1111 net: 1110

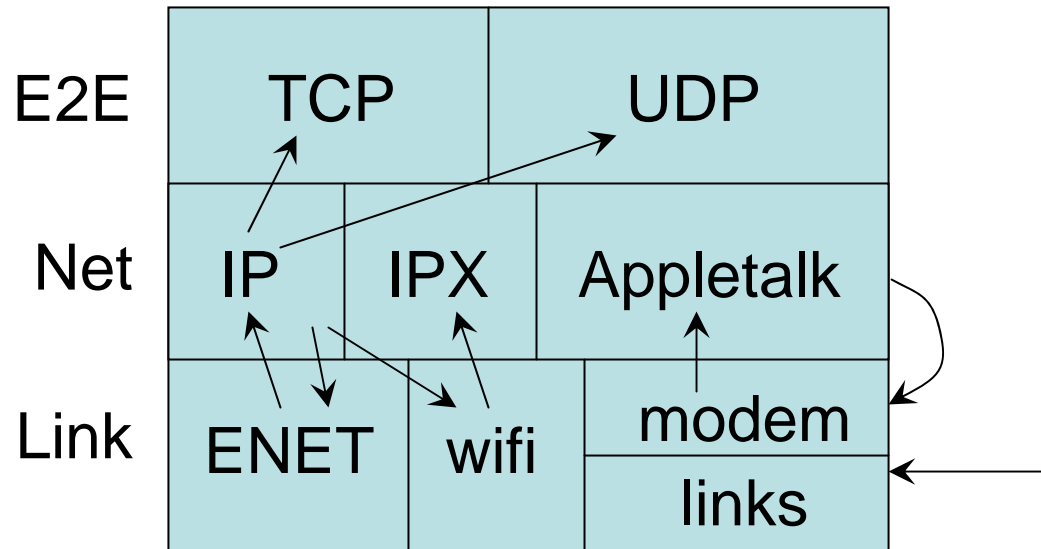
link: 11101 link: 11100

Network Layer

- 1) forwarding
- 2) routing



Dest	Next Link
A	E2E
B	L2
C	L1
D	L1
E	L2



Routing

- 1) Scalable
- 2) Robust
- 3) Distributed

Routing

“Soft State”

2 steps:

- Advertisement
- Integration

Issue: Scalability

Soln: Hierarchy

Autonomous systems (ASes)

