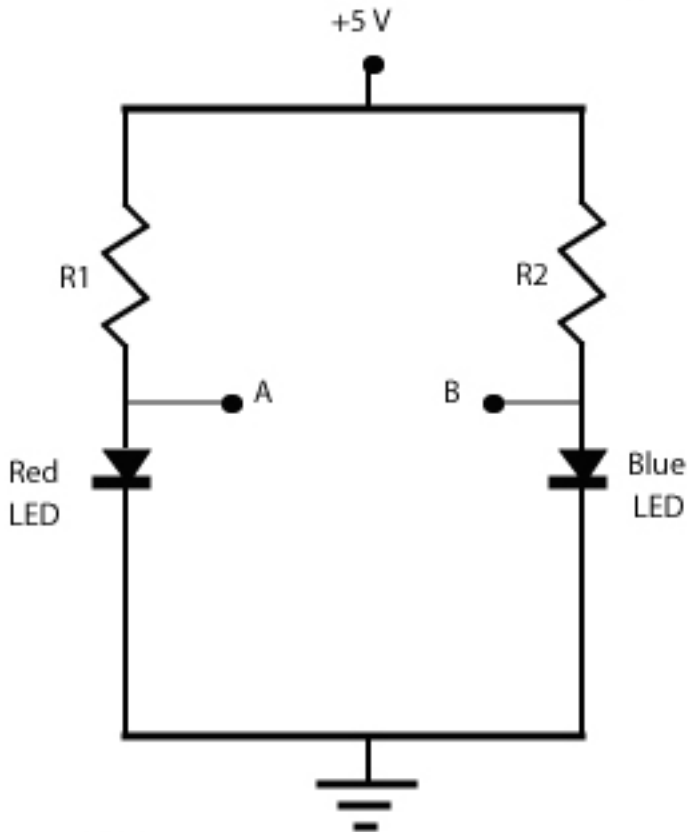
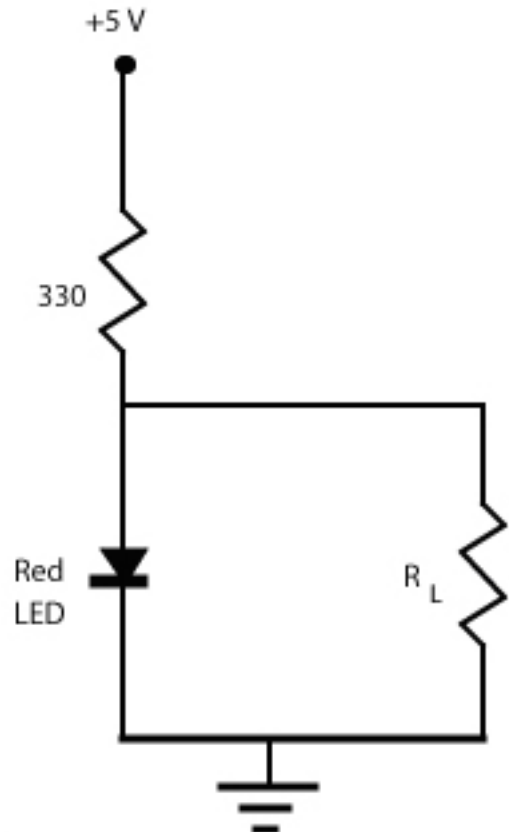


SP.764 Fall 04 - Problem Set 2



Circuit A



Circuit B

Circuit A

Assume that the red LED turns on with a forward voltage of 2.0 V, and that the blue LED turns on with a forward voltage of 4.0 V.

1. Select resistance values for R_1 and R_2 such that 20 mA flows through each LED.
2. What is the voltage at point A? At point B?

Circuit B

Assume that the red LED turns on with a forward voltage of 2.0 V.

1. What is the minimum value of R_L for which some current still flows through the LED?
2. Assuming that R_L is above that minimum, what is the voltage across R_L ? How does it change as R_L is increased above that minimum value?

MIT OpenCourseWare
<http://ocw.mit.edu>

EC.S06 / EC.S11 Practical Electronics
Fall 2004

For information about citing these materials or our Terms of Use, visit: <http://ocw.mit.edu/terms>.