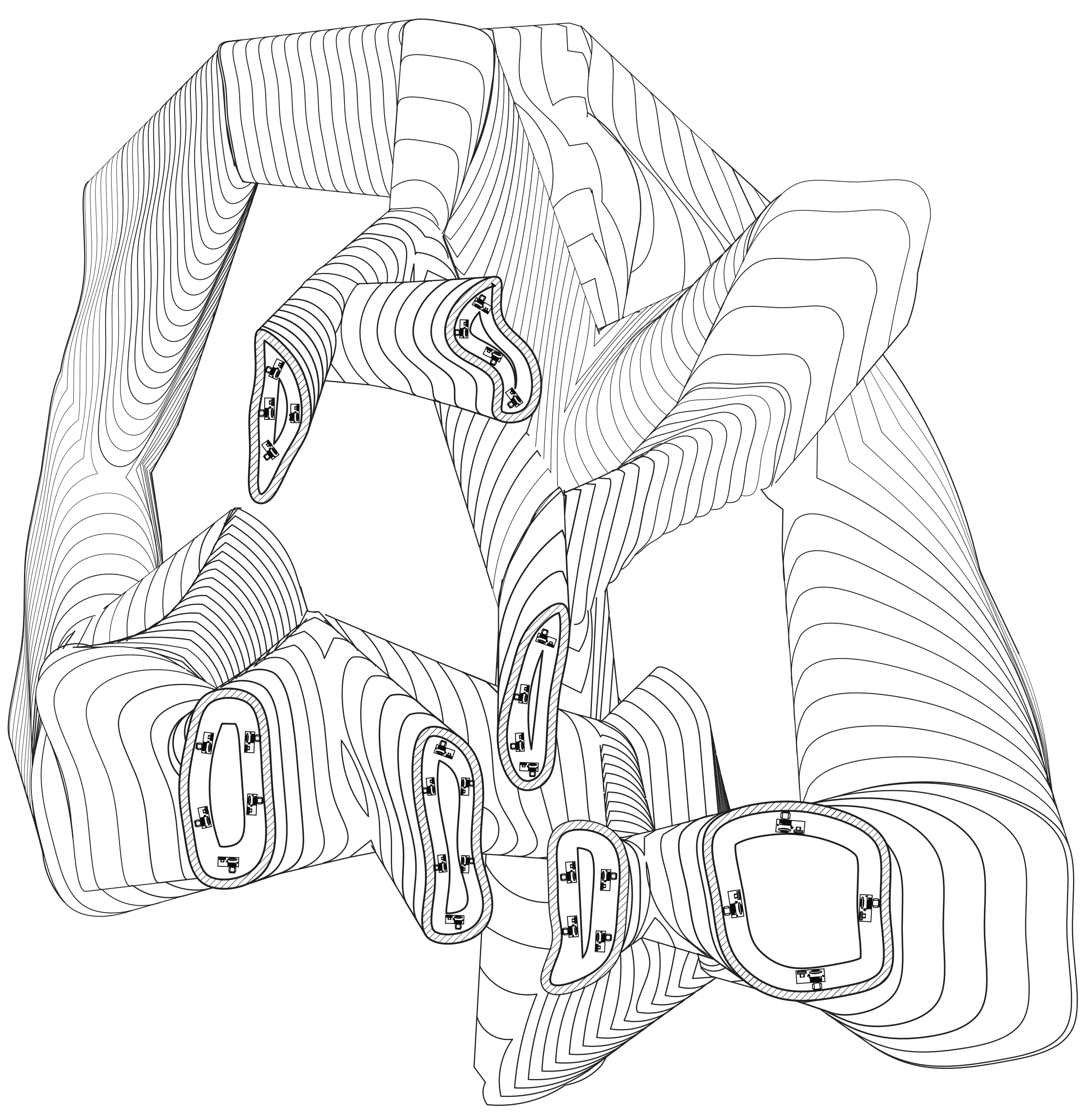
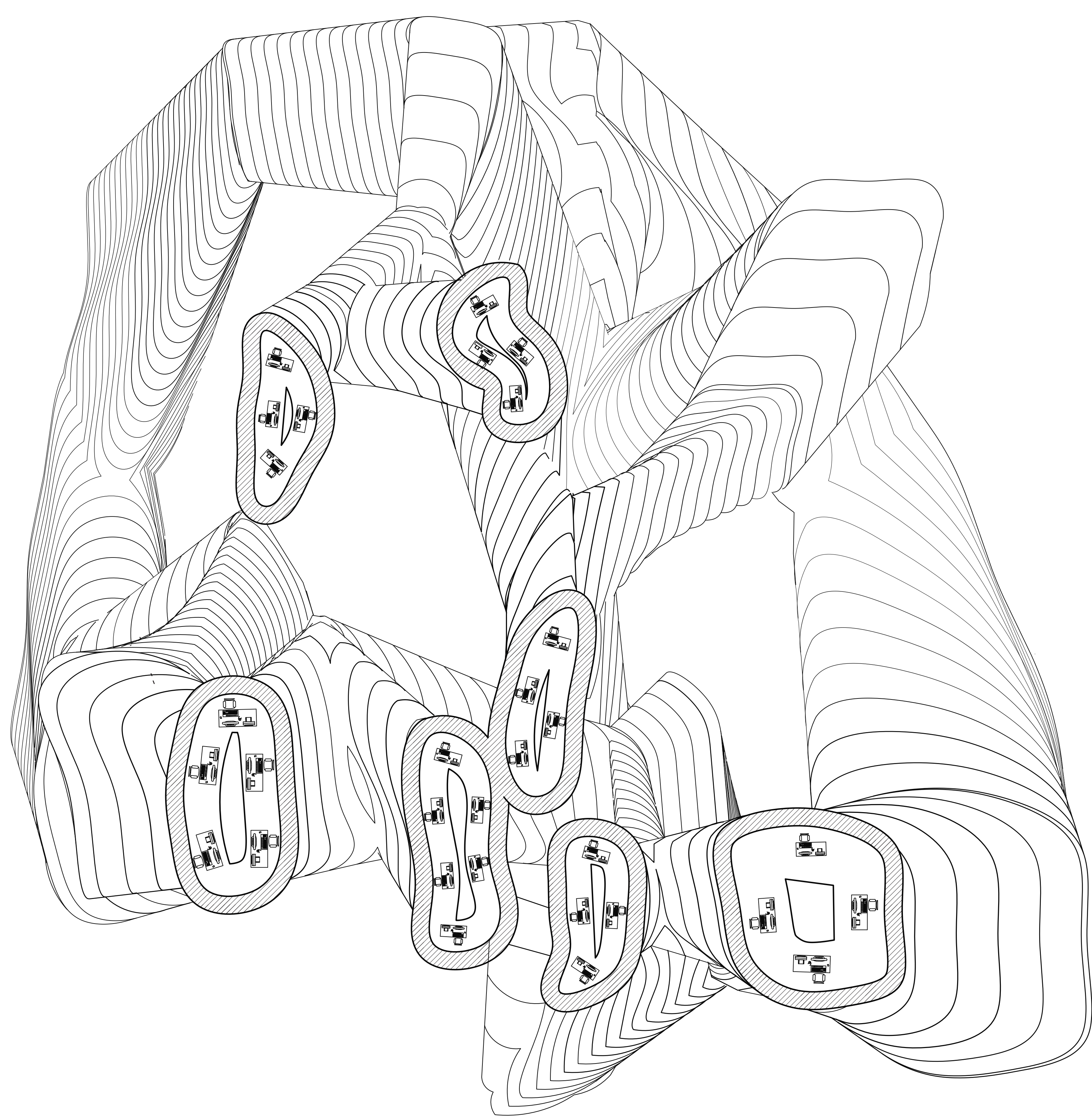


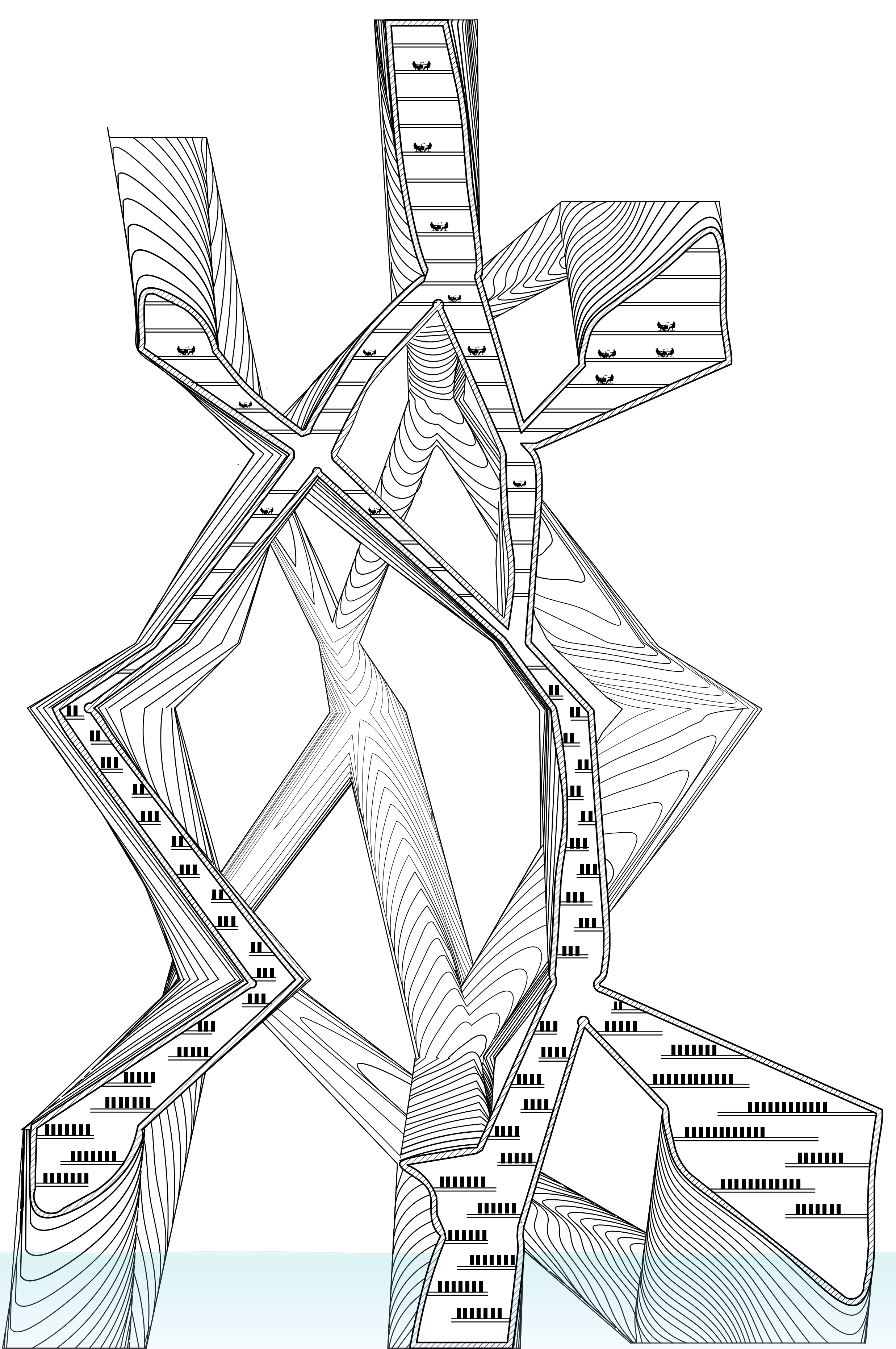
# The Expanding Machine



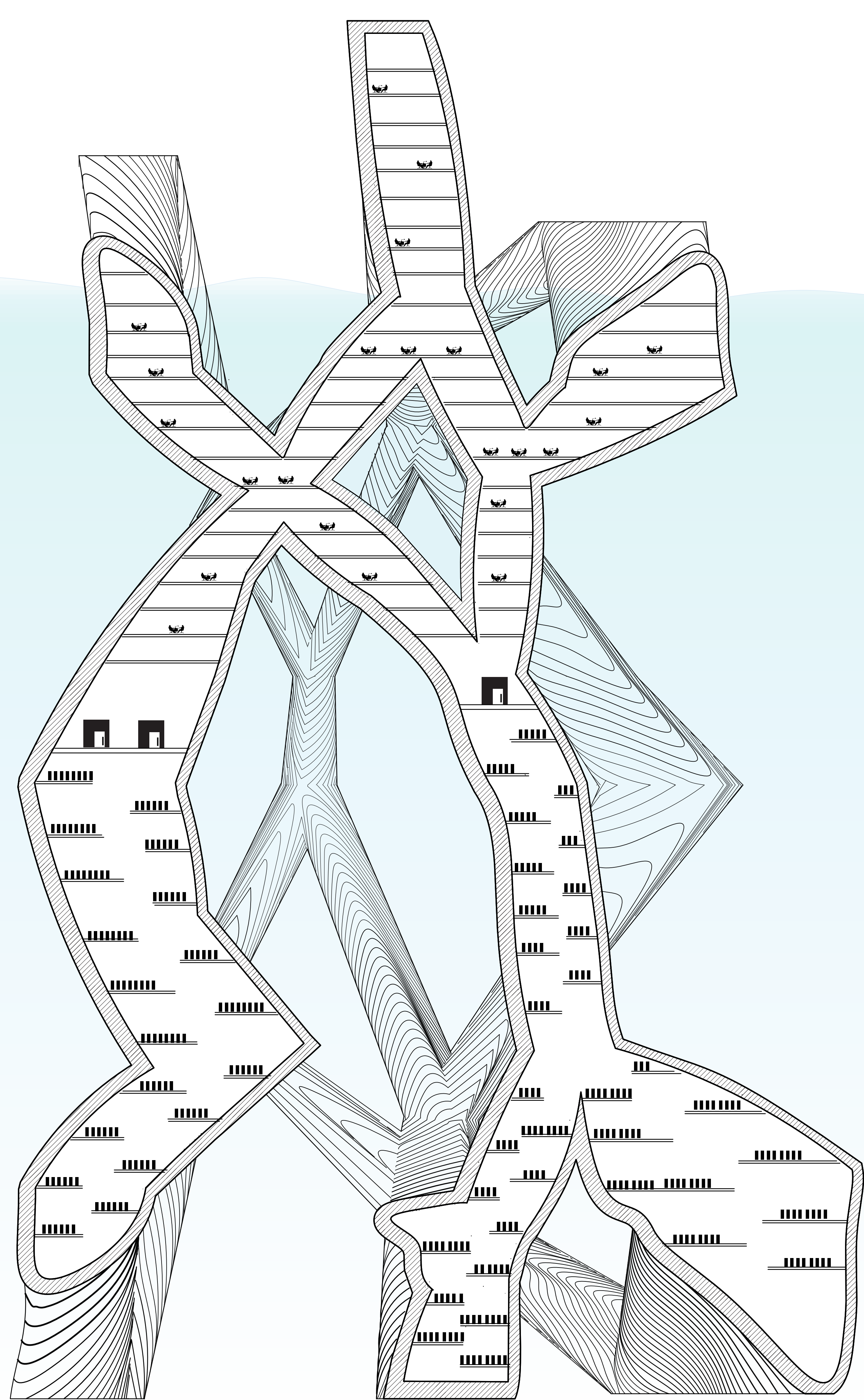
PLAN A 3/64"=1'-0



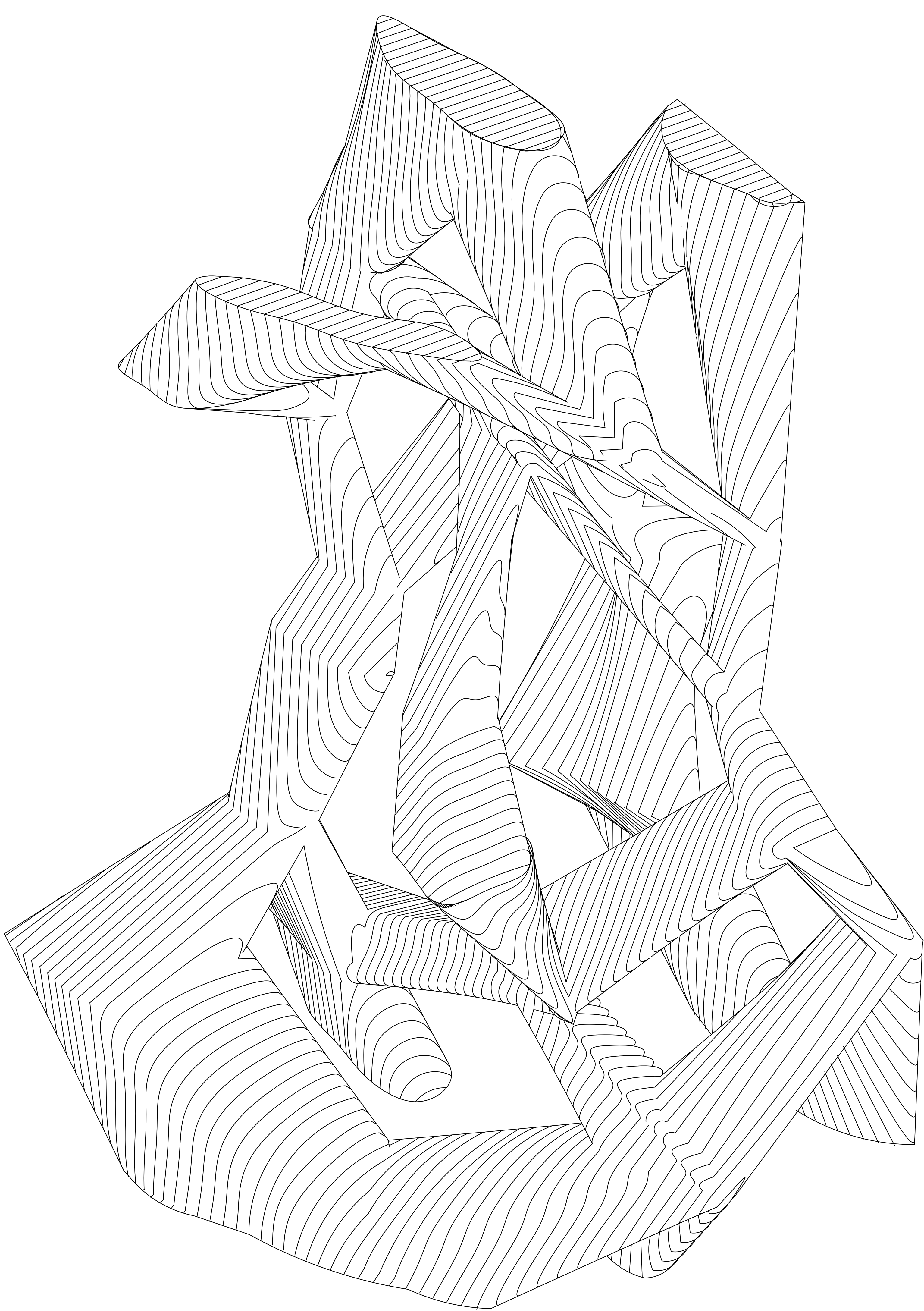
PLAN B 3/64"=1'-0



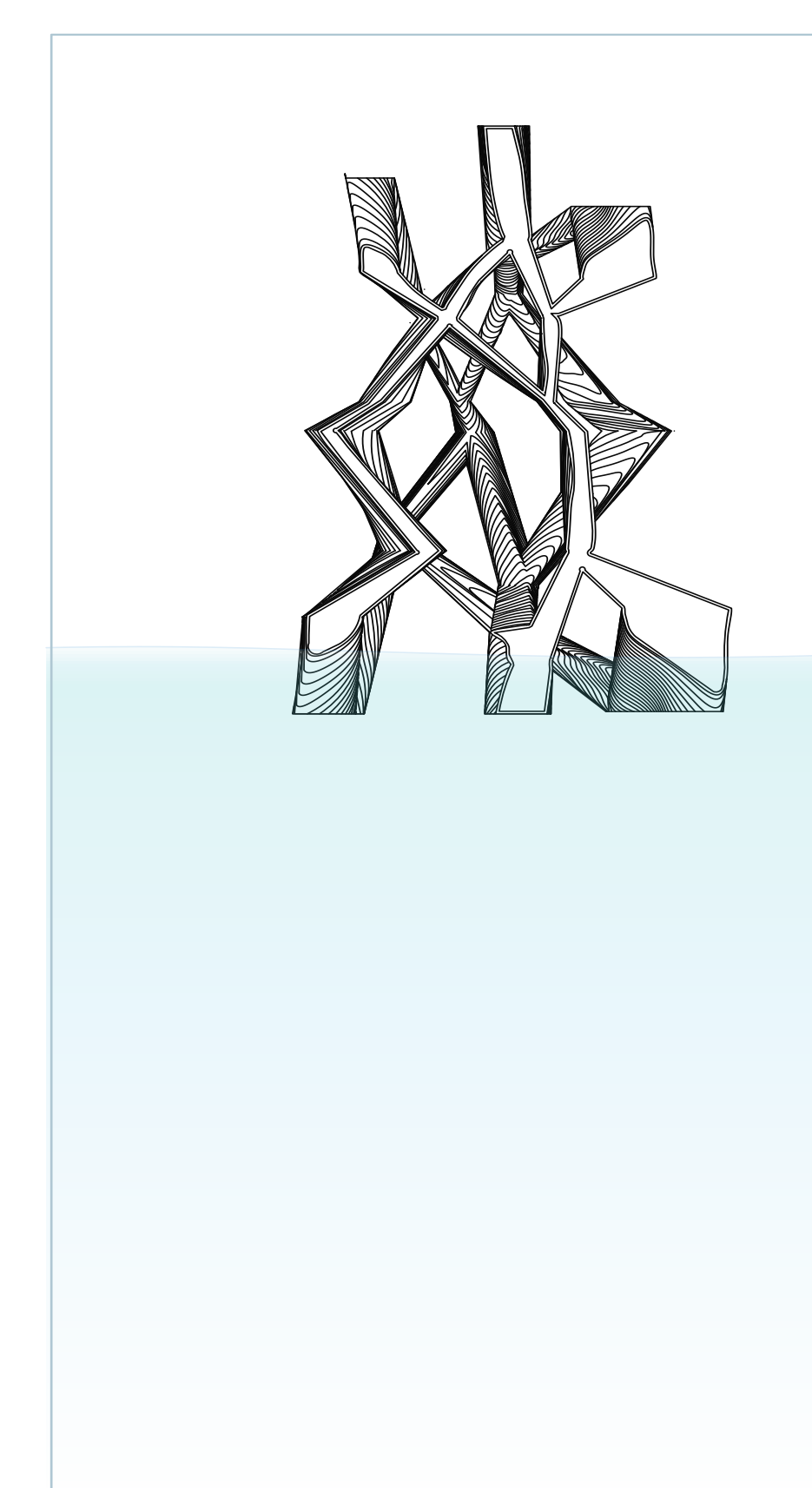
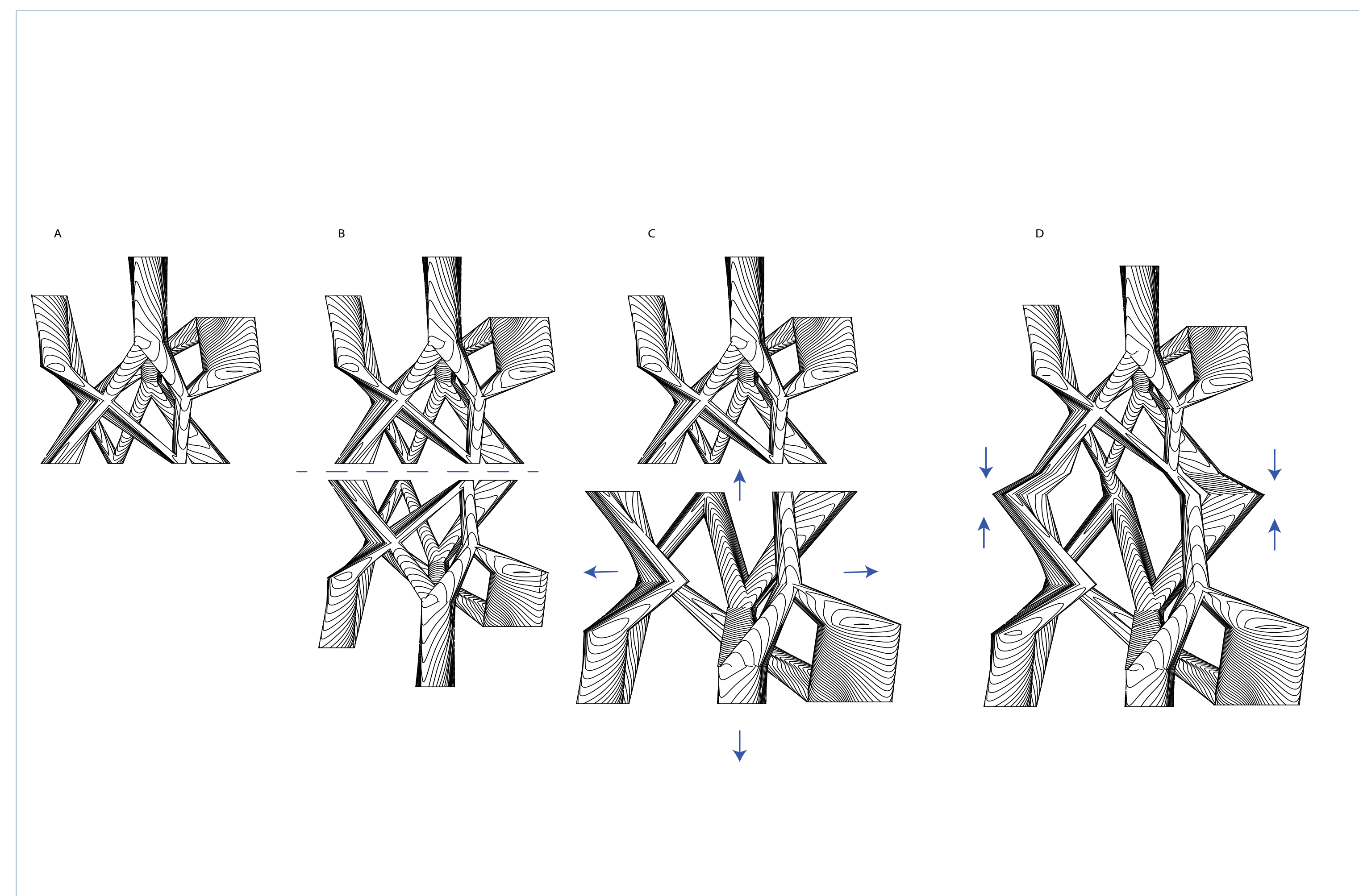
Section A 3/64"=1'-0



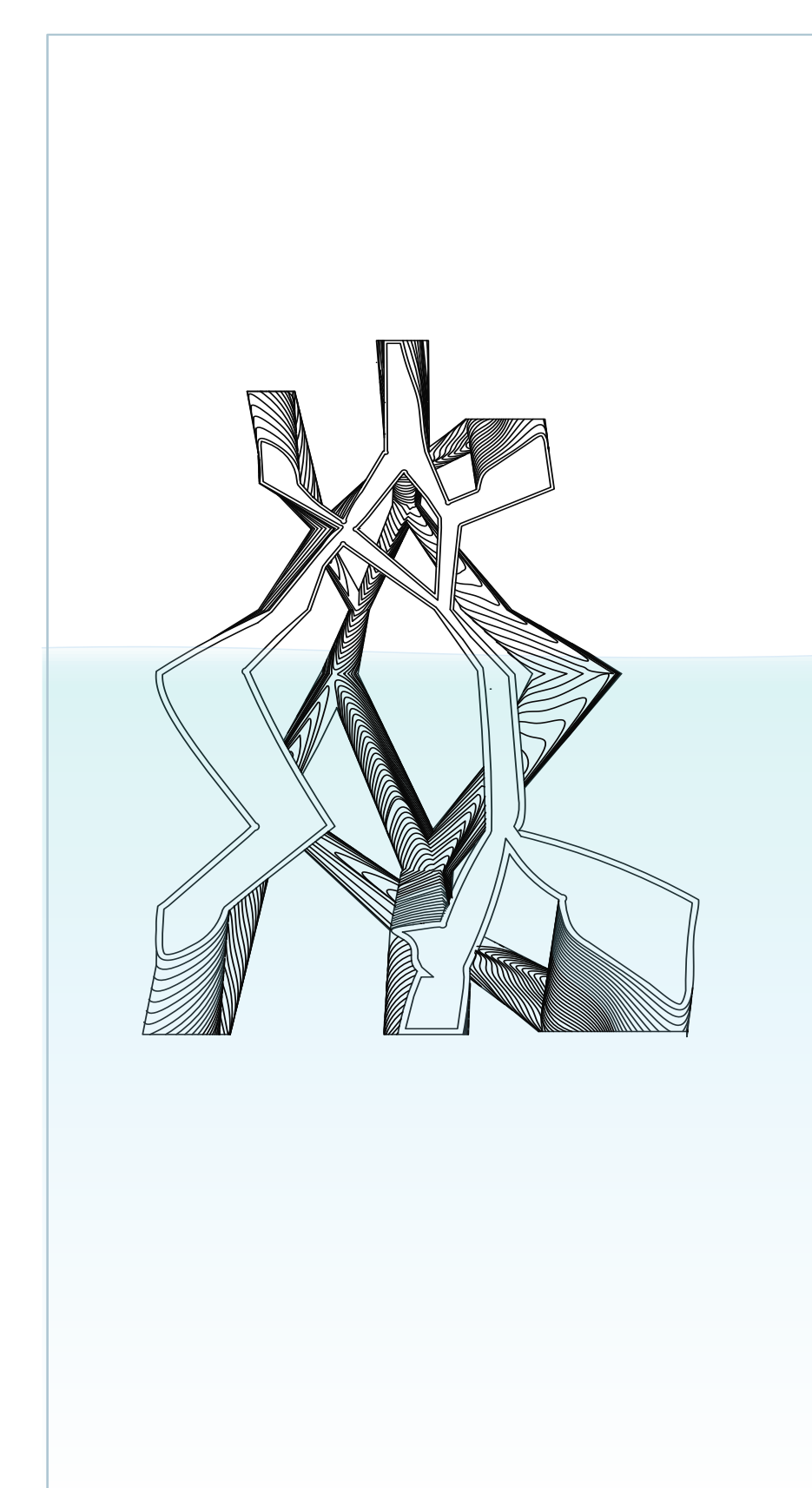
Section B 3/64"=1'-0



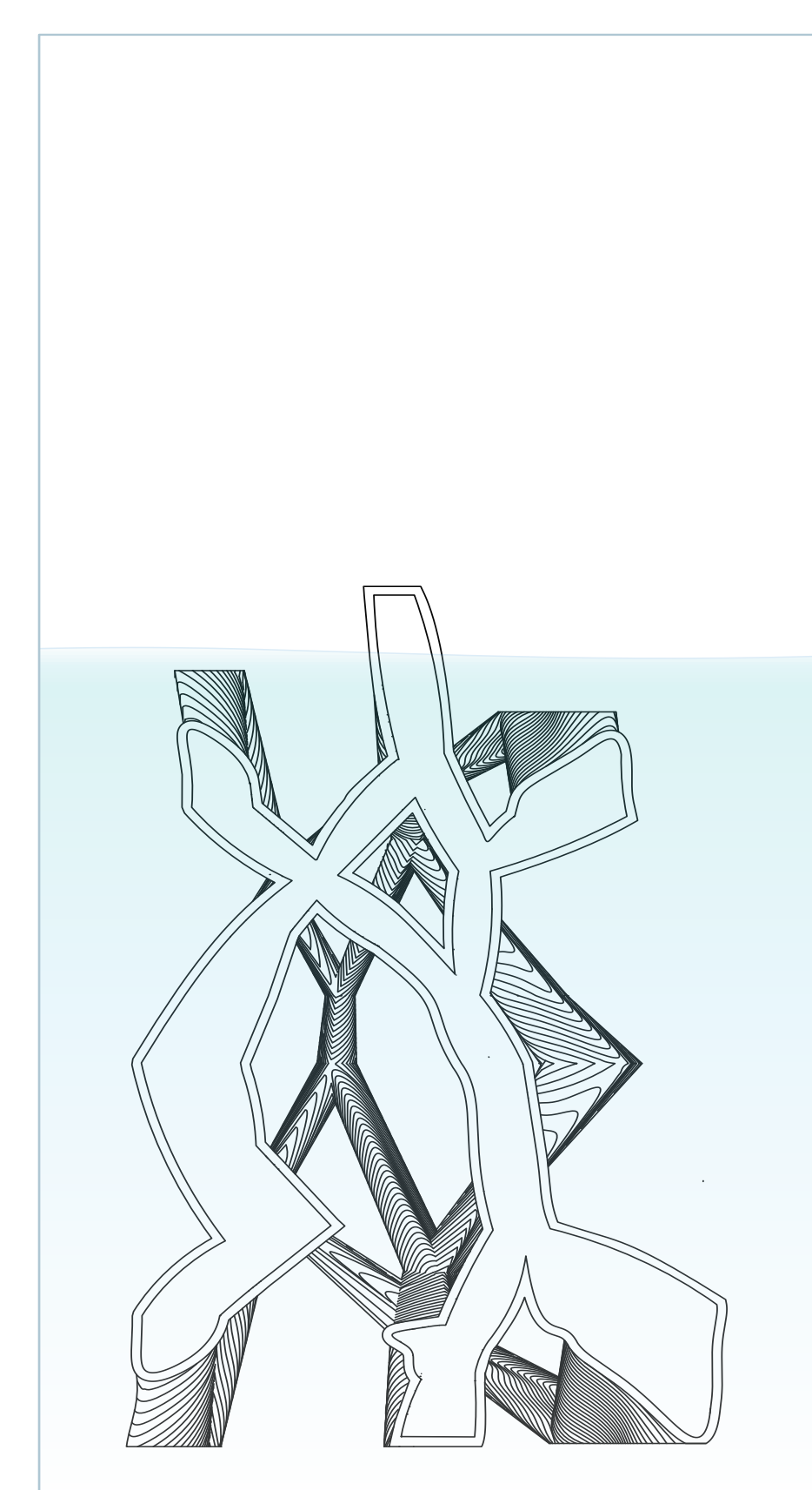
Axon 3/64"=1'-0



☰ COLD  
☷ COLD



☰ COLD  
☷ HOT



☰ HOT  
☷ HOT

